

2.5 V or 3.3 V, 200 MHz, 1:12 Clock Distribution Buffer

Features

- 2.5 V or 3.3 V operation
- 200 MHz clock support
- LVPECL or LVC MOS/LVTTL clock input
- LVC MOS-/LVTTL-compatible inputs
- 12 clock outputs: drive up to 24 clock lines
- Synchronous Output Enable
- Output three-state control
- 150 ps typical output-to-output skew
- Pin compatible with MPC948, MPC948L, MPC9448
- Available in Commercial and Industrial temp. range
- 32-pin TQFP package

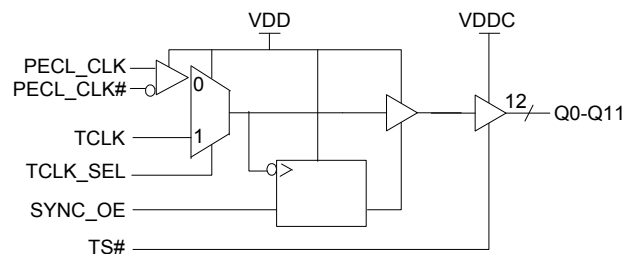
Functional Description

The CY29948 is a low-voltage 200 MHz clock distribution buffer with the capability to select either a differential LVPECL or a LVC MOS/LVTTL compatible input clock. The two clock sources can be used to provide for a test clock as well as the primary system clock. All other control inputs are LVC MOS/LVTTL compatible. The 12 outputs are LVC MOS or LVTTL compatible and can drive 50 Ω series or parallel terminated transmission lines. For series terminated transmission lines, each output can drive one or two traces giving the device an effective fanout of 1:24. The outputs can also be three-stated via the three-state input TS#. Low output-to-output skews make the CY29948 an ideal clock distribution buffer for nested clock trees in the most demanding of synchronous systems.

The CY29948 also provides a synchronous output enable input for enabling or disabling the output clocks. Since this input is internally synchronized to the input clock, potential output glitching or runt pulse generation is eliminated.

For a complete list of related documentation, [click here](#).

Block Diagram

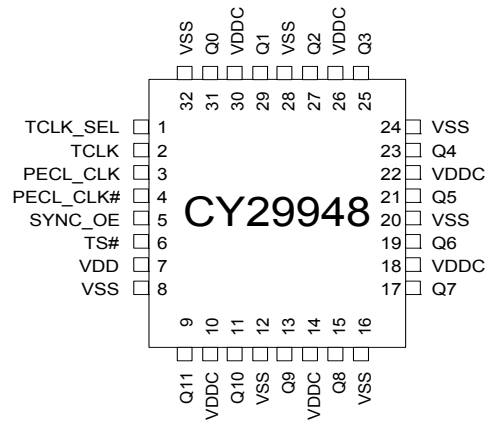


Contents

| | | | |
|---|-----------|--|-----------|
| Pin Configuration | 3 | Acronyms | 11 |
| Pin Description | 3 | Document Conventions | 11 |
| Output Enable/Disable | 4 | Units of Measure | 11 |
| Maximum Ratings | 5 | Document Revision History | 12 |
| DC Parameters | 5 | Sales, Solutions, and Legal Information | 13 |
| Thermal Resistance | 6 | Worldwide Sales and Design Support | 13 |
| AC Parameters | 6 | Products | 13 |
| Ordering Information | 9 | PSoC@Solutions | 13 |
| Ordering Code Definitions | 9 | Cypress Developer Community | 13 |
| Package Drawing and Dimensions | 10 | Technical Support | 13 |

Pin Configuration

Figure 1. 32-pin TQFP pinout



Pin Description

| Pin | Name | PWR | I/O [1] | Description |
|---|-----------|------|---------|--|
| 3 | PECL_CLK | – | I, PU | PECL Input Clock |
| 4 | PECL_CLK# | – | I, PD | PECL Input Clock |
| 2 | TCLK | – | I, PU | External Reference/Test Clock Input |
| 9, 11, 13, 15, 17, 19, 21, 23, 25, 27, 29, 31 | Q(11:0) | VDDC | O | Clock Outputs |
| 1 | TCLK_SEL | – | I, PU | Clock Select Input. When LOW, PECL clock is selected. When HIGH TCLK is selected. |
| 5 | SYNC_OE | – | I, PU | Output Enable Input. When asserted HIGH, the outputs are enabled. When set LOW the outputs are disabled in a LOW state. |
| 6 | TS# | – | I, PU | Three-state Control Input. When asserted LOW, the output buffers are three-stated. When set HIGH, the output buffers are enabled. |
| 10, 14, 18, 22, 26, 30 | VDDC | – | – | 2.5 V or 3.3 V Power Supply for Output Clock Buffers |
| 7 | VDD | – | – | 2.5 V or 3.3 V Power Supply |
| 8, 12, 16, 20, 24, 28, 32 | VSS | – | – | Common Ground |

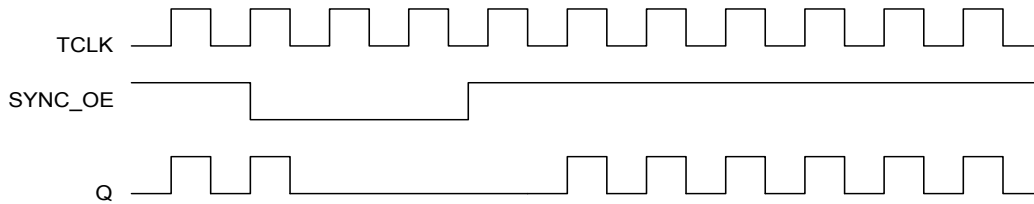
Note

1. PD = Internal pull-down, PU = Internal pull-up.

Output Enable/Disable

The CY29948 features a control input to enable or disable the outputs. This data is latched on the falling edge of the input clock. When SYNC_OE is asserted LOW, the outputs are disabled in a LOW state. When SYNC_OE is set HIGH, the outputs are enabled as shown in [Figure 2](#).

Figure 2. SYNC_OE Timing Diagram



Maximum Ratings

Exceeding maximum ratings ^[2] may shorten the useful life of the device. User guidelines are not tested.

- Maximum Input Voltage Relative to V_{SS} $V_{SS} - 0.3 V$
- Maximum Input Voltage Relative to V_{DD} $V_{DD} + 0.3 V$
- Storage Temperature $-65^{\circ}C$ to $+150^{\circ}C$
- Operating Temperature $-40^{\circ}C$ to $+85^{\circ}C$
- Maximum ESD protection 2 kV

- Maximum Power Supply 5.5 V
- Maximum Input Current $\pm 20 mA$

This device contains circuitry to protect the inputs against damage due to high static voltages or electric field; however, precautions should be taken to avoid application of any voltage higher than the maximum rated voltages to this circuit. For proper operation, V_{in} and V_{out} should be constrained to the range:

$$V_{SS} < (V_{in} \text{ or } V_{out}) < V_{DD}$$

Unused inputs must always be tied to an appropriate logic voltage level (either V_{SS} or V_{DD}).

DC Parameters

$V_{DD} = V_{DDC} = 3.3 V \pm 10\%$ or $2.5 V \pm 5\%$, over the specified temperature range.

| Parameter | Description | Conditions | Min | Typ | Max | Unit |
|-----------|--|--|----------------|-----|----------------|----------|
| V_{IL} | Input Low Voltage | $V_{DD} = 3.3 V$, PECL_CLK single ended | 1.49 | – | 1.825 | V |
| | | $V_{DD} = 2.5 V$, PECL_CLK single ended | 1.10 | – | 1.45 | |
| | | All other inputs | V_{SS} | – | 0.8 | |
| V_{IH} | Input High Voltage | $V_{DD} = 3.3 V$, PECL_CLK single ended | 2.135 | – | 2.42 | V |
| | | $V_{DD} = 2.5 V$, PECL_CLK single ended | 1.75 | – | 2.0 | |
| | | All other inputs | 2.0 | – | V_{DD} | |
| I_{IL} | Input Low Current ^[3] | | – | – | –100 | μA |
| I_{IH} | Input High Current ^[3] | | – | – | 100 | |
| V_{PP} | Peak-to-Peak Input Voltage PECL_CLK | | 300 | – | 1000 | mV |
| V_{CMR} | Common Mode Range ^[4] PECL_CLK | $V_{DD} = 3.3 V$ | $V_{DD} - 2.0$ | – | $V_{DD} - 0.6$ | V |
| | | $V_{DD} = 2.5 V$ | $V_{DD} - 1.2$ | – | $V_{DD} - 0.6$ | |
| V_{OL} | Output Low Voltage ^[5] | $I_{OL} = 20 mA$ | – | – | 0.4 | V |
| V_{OH} | Output High Voltage ^[5] | $I_{OH} = -20 mA$, $V_{DD} = 3.3 V$ | 2.5 | – | – | V |
| | | $I_{OH} = -20 mA$, $V_{DD} = 2.5 V$ | 1.8 | – | – | |
| I_{DDQ} | Quiescent Supply Current | | – | 5 | 7 | mA |
| I_{DD} | Dynamic Supply Current | $V_{DD} = 3.3 V$, Outputs @ 100 MHz, $C_L = 30 pF$ | – | 180 | – | mA |
| | | $V_{DD} = 3.3 V$, Outputs @ 160 MHz, $C_L = 30 pF$ | – | 270 | – | |
| | | $V_{DD} = 2.5 V$, Outputs @ 100 MHz, $C_L = 30 pF$ | – | 125 | – | |
| | | $V_{DD} = 2.5 V$, Outputs @ 160 MHz, $C_L = 30 pF$ | – | 190 | – | |
| Z_{out} | Output Impedance | $V_{DD} = 3.3 V$ | 12 | 15 | 18 | Ω |
| | | $V_{DD} = 2.5 V$ | 14 | 18 | 22 | |
| C_{in} | Input Capacitance | | – | 4 | – | pF |

Notes

2. **Multiple Supplies:** The voltage on any input or I/O pin cannot exceed the power pin during power-up. Power supply sequencing is not required.
3. Inputs have pull-up/pull-down resistors that effect input current.
4. The V_{CMR} is the difference from the most positive side of the differential input signal. Normal operation is obtained when the "High" input is within the V_{CMR} range and the input lies within the V_{PP} specification.
5. Driving series or parallel terminated 50 Ω (or 50 Ω to $V_{DD}/2$) transmission lines.

Thermal Resistance

| Parameter ^[6] | Description | Test Conditions | 32-pin TQFP | Unit |
|--------------------------|--|---|-------------|------|
| θ_{JA} | Thermal resistance (junction to ambient) | Test conditions follow standard test methods and procedures for measuring thermal impedance, in accordance with EIA/JESD51. | 65 | °C/W |
| θ_{JC} | Thermal resistance (junction to case) | | 12 | °C/W |

AC Parameters

$V_{DD} = V_{DCC} = 3.3 \text{ V} \pm 10\%$ or $2.5 \text{ V} \pm 5\%$, over the specified operating range.

| Parameter ^[7] | Description | Conditions | Min | Typ | Max | Unit |
|--------------------------|--|--|------|-----|------|------|
| F_{max} | Input Frequency ^[8] | $V_{DD} = 3.3 \text{ V}$ | – | – | 200 | MHz |
| | | $V_{DD} = 2.5 \text{ V}$ | – | – | 170 | |
| T_{pd} | PECL_CLK to Q Delay ^[8] | $V_{DD} = 3.3 \text{ V}$ | 4.0 | – | 8.0 | ns |
| | TCLK to Q Delay ^[8] | | 4.4 | – | 8.9 | |
| | PECL_CLK to Q Delay ^[8] | $V_{DD} = 2.5 \text{ V}$ | 6.0 | – | 10.0 | |
| | TCLK to Q Delay ^[8] | | 6.4 | – | 10.9 | |
| F_{outDC} | Output Duty Cycle ^[8, 9, 10] | Measured at $V_{DD}/2$ | 45 | – | 55 | % |
| t_{pZL}, t_{pZH} | Output Enable Time (all outputs) | | 2 | – | 10 | ns |
| t_{pLZ}, t_{pHZ} | Output Disable Time (all outputs) | | 2 | – | 10 | ns |
| T_{skew} | Output-to-Output Skew ^[8, 10] | | – | 150 | 250 | ps |
| $T_{skew(pp)}$ | Part-to-Part Skew ^[11] | PECL_CLK to Q | – | – | 1.5 | ns |
| | | TCLK to Q | – | – | 2.0 | |
| T_s | Set-up Time ^[8, 12] | SYNC_OE to PECL_CLK | 1.0 | – | – | ns |
| | | SYNC_OE to TCLK | 0.0 | – | – | |
| T_h | Hold Time ^[8, 12] | PECL_CLK to SYNC_OE | 0.0 | – | – | ns |
| | | TCLK to SYNC_OE | 1.0 | – | – | |
| T_r/T_f | Output Clocks Rise/Fall Time ^[10] | 0.8 V to 2.0 V, $V_{DD} = 3.3 \text{ V}$ | 0.20 | – | 1.0 | ns |
| | | 0.6 V to 1.8 V, $V_{DD} = 2.5 \text{ V}$ | 0.20 | – | 1.3 | |

Notes

6. These parameters are guaranteed by design and are not tested.
7. Parameters are guaranteed by design and characterization. Not 100% tested in production. All parameters specified with loaded outputs.
8. Outputs driving 50Ω transmission lines.
9. 50% input duty cycle.
10. See Figure 3 and Figure 4 on page 7.
11. Part-to-Part skew at a given temperature and voltage.
12. Setup and hold times are relative to the falling edge of the input clock.

Figure 3. LVCMOS_CLK CY29948 Test Reference for $V_{CC} = 3.3\text{ V}$ and $V_{CC} = 2.5\text{ V}$

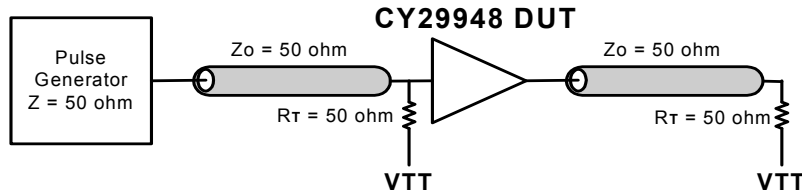


Figure 4. PECL_CLK CY29948 Test Reference for $V_{CC} = 3.3\text{ V}$ and $V_{CC} = 2.5\text{ V}$

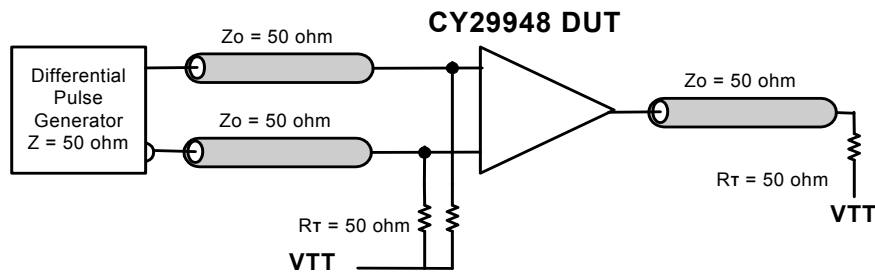


Figure 5. Propagation Delay (t_{PD}) Test Reference

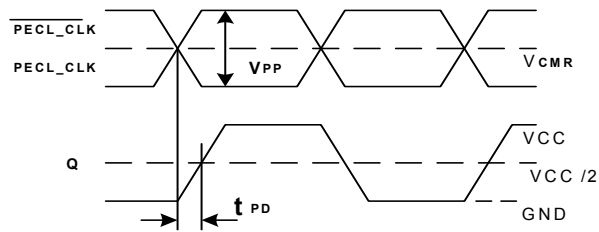


Figure 6. LVCMOS Propagation Delay (t_{PD}) Test Reference

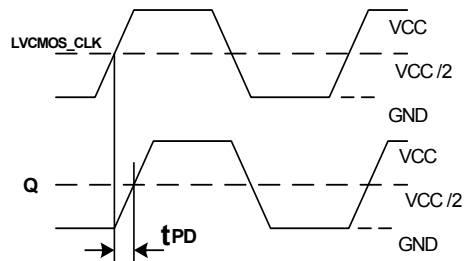


Figure 7. Output Duty Cycle (F_{outDC})

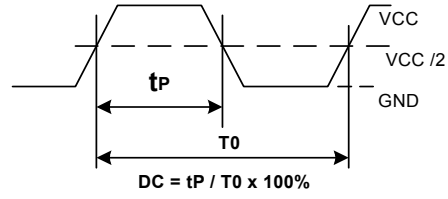
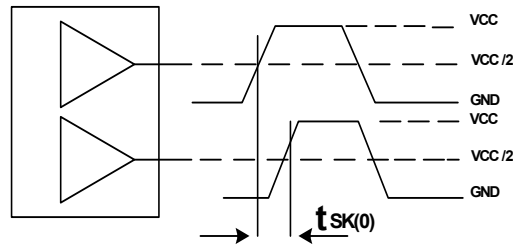


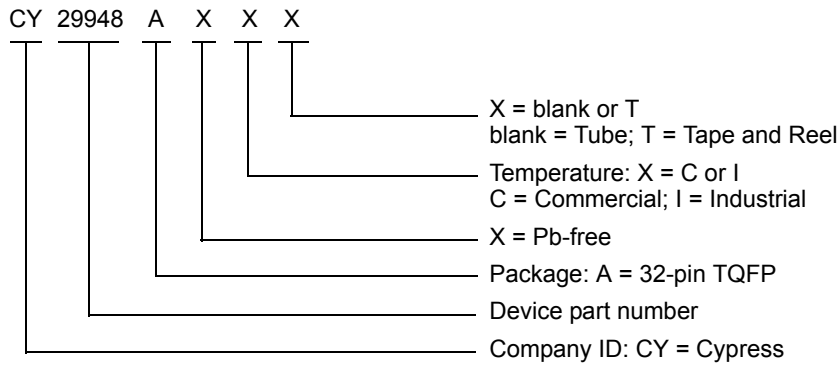
Figure 8. Output-to-Output Skew $t_{sk(0)}$



Ordering Information

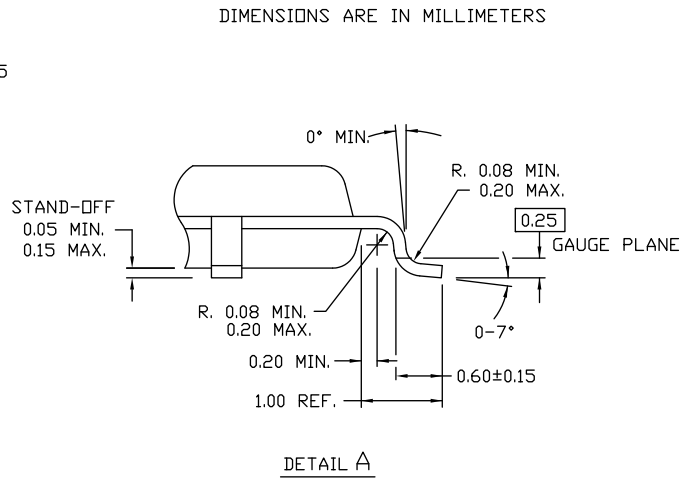
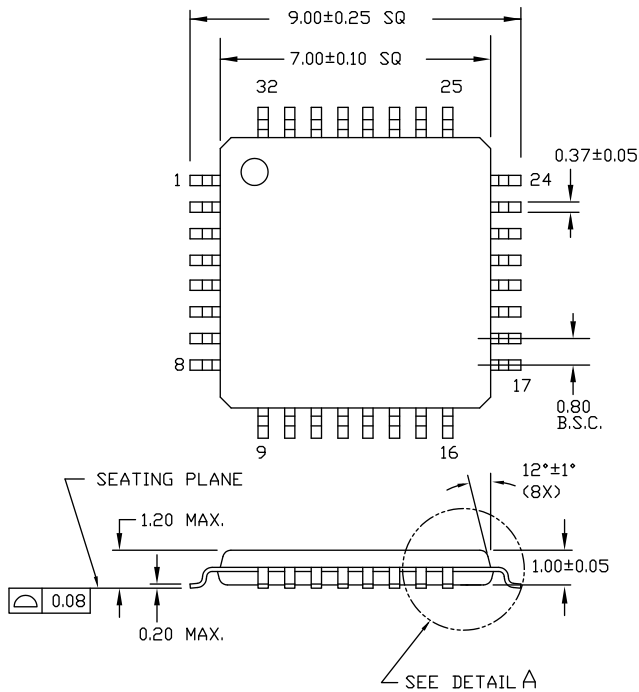
| Part Number | Package Type | Production Flow |
|----------------|-----------------------------|------------------------------|
| Pb-free | | |
| CY29948AXC | 32-pin TQFP | Commercial, 0 °C to +70 °C |
| CY29948AXCT | 32-pin TQFP – Tape and Reel | Commercial, 0 °C to +70 °C |
| CY29948AXI | 32-pin TQFP | Industrial, –40 °C to +85 °C |
| CY29948AXIT | 32-pin TQFP – Tape and Reel | Industrial, –40 °C to +85 °C |

Ordering Code Definitions



Package Drawing and Dimensions

Figure 9. 32-pin TQFP (7 × 7 × 1.0 mm) Package Outline, 51-85063



51-85063 *E

Acronyms

| Acronym | Description |
|---------|---|
| CMOS | Complementary Metal Oxide Semiconductor |
| ESD | Electrostatic Discharge |
| I/O | Input/Output |
| LVC MOS | Low Voltage Complementary Metal Oxide Semiconductor |
| LVPECL | Low Voltage Positive Emitter Coupled Logic |
| LVTTL | Low Voltage Transistor-Transistor Logic |
| PLL | Phase Locked Loop |
| TQFP | Thin Quad Flat Pack |

Document Conventions

Units of Measure

| Symbol | Unit of Measure |
|--------|-----------------|
| °C | degree Celsius |
| kV | kilovolt |
| MHz | megahertz |
| μA | microampere |
| mA | milliampere |
| mm | millimeter |
| mV | millivolt |
| ns | nanosecond |
| Ω | ohm |
| % | percent |
| pF | picofarad |
| ps | picosecond |
| V | volt |

Document Revision History

| Document Title: CY29948, 2.5 V or 3.3 V, 200 MHz, 1:12 Clock Distribution Buffer | | | | |
|--|---------|-----------------|-----------------|---|
| Document Number: 38-07288 | | | | |
| Rev. | ECN No. | Submission Date | Orig. of Change | Description of Change |
| ** | 111099 | 02/13/02 | BRK | New data sheet. |
| *A | 116782 | 08/14/02 | HWT | Added Commercial Temperature Range |
| *B | 122880 | 12/22/02 | RBI | Added power up requirements to Maximum Ratings |
| *C | 428221 | See ECN | RGL | Added Lead-free devices |
| *D | 2904731 | 04/05/10 | CXQ | Removed inactive part numbers - CY29948AI and CY29948AIT. Updated package diagram. |
| *E | 3246222 | 05/02/2011 | CXQ | Added Ordering Code Definitions . Added Acronyms and Units of Measure . Updated in new template. |
| *F | 3859773 | 01/07/2013 | AJU | Updated Ordering Information (Updated part numbers). Updated Package Drawing and Dimensions : spec 51-85063 – Changed revision from *C to *D. |
| *G | 4345036 | 04/14/2014 | XHT | Updated to new template. Completing Sunset Review. |
| *H | 4586288 | 12/03/2014 | XHT | Updated Functional Description : Added “For a complete list of related documentation, click here .” at the end. |
| *I | 5275785 | 05/18/2016 | PSR | Added Thermal Resistance . Updated Package Drawing and Dimensions : spec 51-85063 – Changed revision from *D to *E. Updated to new template. |

Sales, Solutions, and Legal Information

Worldwide Sales and Design Support

Cypress maintains a worldwide network of offices, solution centers, manufacturer's representatives, and distributors. To find the office closest to you, visit us at [Cypress Locations](#).

Products

| | |
|-------------------------------|--|
| ARM® Cortex® Microcontrollers | cypress.com/arm |
| Automotive | cypress.com/automotive |
| Clocks & Buffers | cypress.com/clocks |
| Interface | cypress.com/interface |
| Lighting & Power Control | cypress.com/powerpsoc |
| Memory | cypress.com/memory |
| PSoC | cypress.com/psoc |
| Touch Sensing | cypress.com/touch |
| USB Controllers | cypress.com/usb |
| Wireless/RF | cypress.com/wireless |

PSoC® Solutions

[PSoC 1](#) | [PSoC 3](#) | [PSoC 4](#) | [PSoC 5LP](#)

Cypress Developer Community

[Forums](#) | [Projects](#) | [Video](#) | [Blogs](#) | [Training](#) | [Components](#)

Technical Support

cypress.com/support

© Cypress Semiconductor Corporation, 2002-2016. This document is the property of Cypress Semiconductor Corporation and its subsidiaries, including Spansion LLC ("Cypress"). This document, including any software or firmware included or referenced in this document ("Software"), is owned by Cypress under the intellectual property laws and treaties of the United States and other countries worldwide. Cypress reserves all rights under such laws and treaties and does not, except as specifically stated in this paragraph, grant any license under its patents, copyrights, trademarks, or other intellectual property rights. If the Software is not accompanied by a license agreement and you do not otherwise have a written agreement with Cypress governing the use of the Software, then Cypress hereby grants you a personal, non-exclusive, nontransferable license (without the right to sublicense) (1) under its copyright rights in the Software (a) for Software provided in source code form, to modify and reproduce the Software solely for use with Cypress hardware products, only internally within your organization, and (b) to distribute the Software in binary code form externally to end users (either directly or indirectly through resellers and distributors), solely for use on Cypress hardware product units, and (2) under those claims of Cypress's patents that are infringed by the Software (as provided by Cypress, unmodified) to make, use, distribute, and import the Software solely for use with Cypress hardware products. Any other use, reproduction, modification, translation, or compilation of the Software is prohibited.

TO THE EXTENT PERMITTED BY APPLICABLE LAW, CYPRESS MAKES NO WARRANTY OF ANY KIND, EXPRESS OR IMPLIED, WITH REGARD TO THIS DOCUMENT OR ANY SOFTWARE OR ACCOMPANYING HARDWARE, INCLUDING, BUT NOT LIMITED TO, THE IMPLIED WARRANTIES OF MERCHANTABILITY AND FITNESS FOR A PARTICULAR PURPOSE. To the extent permitted by applicable law, Cypress reserves the right to make changes to this document without further notice. Cypress does not assume any liability arising out of the application or use of any product or circuit described in this document. Any information provided in this document, including any sample design information or programming code, is provided only for reference purposes. It is the responsibility of the user of this document to properly design, program, and test the functionality and safety of any application made of this information and any resulting product. Cypress products are not designed, intended, or authorized for use as critical components in systems designed or intended for the operation of weapons, weapons systems, nuclear installations, life-support devices or systems, other medical devices or systems (including resuscitation equipment and surgical implants), pollution control or hazardous substances management, or other uses where the failure of the device or system could cause personal injury, death, or property damage ("Unintended Uses"). A critical component is any component of a device or system whose failure to perform can be reasonably expected to cause the failure of the device or system, or to affect its safety or effectiveness. Cypress is not liable, in whole or in part, and you shall and hereby do release Cypress from any claim, damage, or other liability arising from or related to all Unintended Uses of Cypress products. You shall indemnify and hold Cypress harmless from and against all claims, costs, damages, and other liabilities, including claims for personal injury or death, arising from or related to any Unintended Uses of Cypress products.

Cypress, the Cypress logo, Spansion, the Spansion logo, and combinations thereof, PSoC, CapSense, EZ-USB, F-RAM, and Traveo are trademarks or registered trademarks of Cypress in the United States and other countries. For a more complete list of Cypress trademarks, visit cypress.com. Other names and brands may be claimed as property of their respective owners.