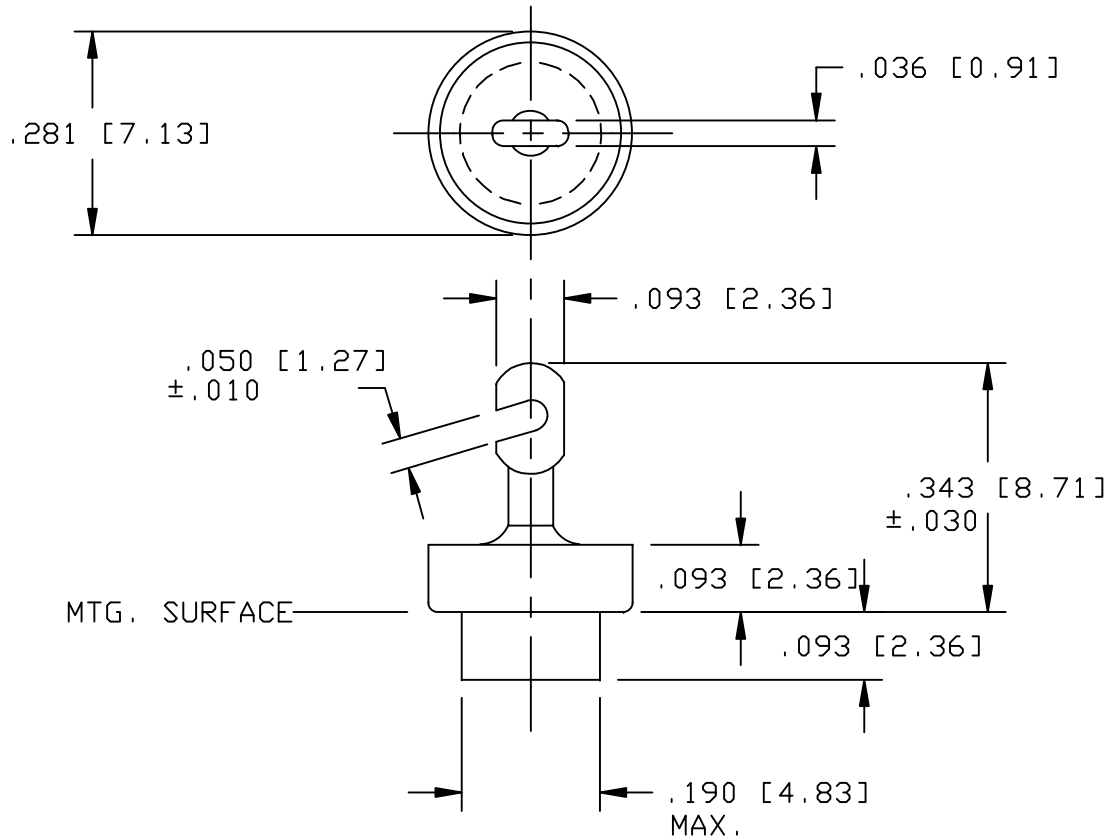


NOTES:

1. SUGGESTED MOUNTING HOLE = ϕ .191[4.86]
2. MTG. PREFORM IS 23-0007-6900.



LEAD FINISH: SILVER

BUSHING FINISH: SILVER

CAPACITANCE 470pF ±20%

TEMP. RANGE -55°C TO 125°C

CURRENT AMP MAX.

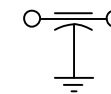
WORKING VOLTAGE 85°C VDC MAX.
125°C VDC MAX.

D.C. RESISTANCE .01ohms MAX.

MIN. I.L. PER MIL-STD-220 AT 25°C NO LOAD

FREQ. MHz	I.L. (db)
1	N/A
10	N/A
100	N/A
1 GHz	N/A
10 GHz	N/A

SCHEMATIC



MARKING:

PART: NONE

BAG:

54-803-004-471M

DATE CODE

QTY./BAG (200 MAX.)

CN. 185169 00

REV. CHANGE NOTICE NO.

TOLERANCES UNLESS OTHERWISE SPECIFIED

Fractional ±.0004

Dec. .xx±

Dec. .xxx±0.15

Angles ±0° 30'

CODE IDENT. NO.

QLSP2



SPECTRUM CONTROL INC.

Dwn KAUFFMAN

Ckd. 8-10-98

Apvd.

Scale NONE

ERIE, FAIRVIEW PENNSYLVANIA

Description STANDOFF CERAMIC FILTER

54803004X5R471M