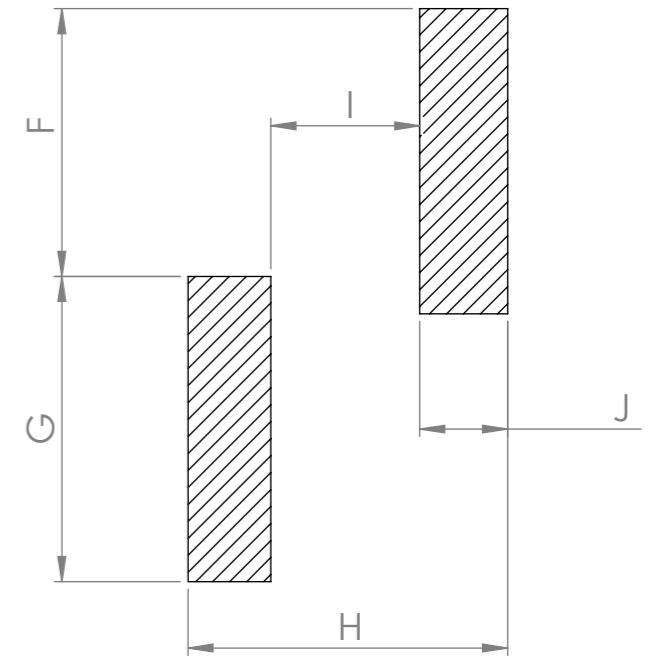
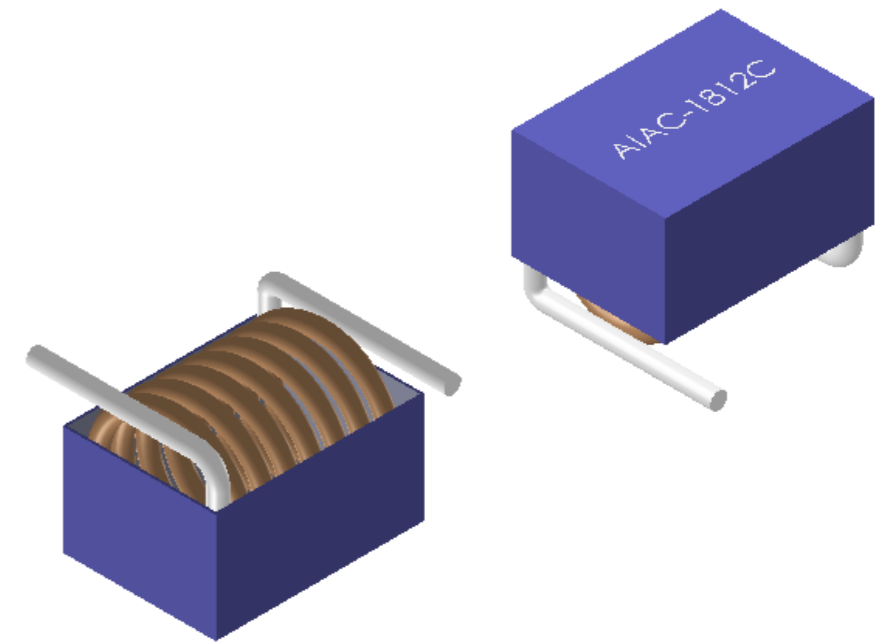
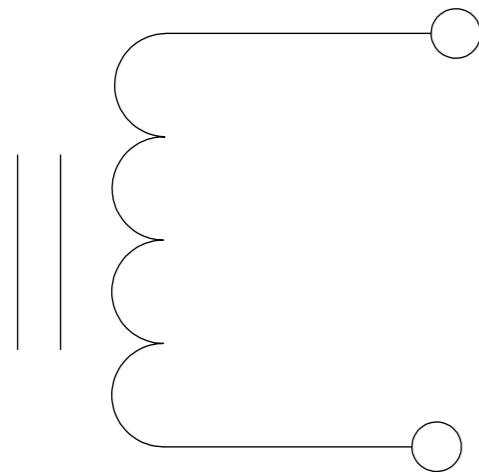


Recommended Land Pattern



F	2.7
G	5.2
H	5.8
I	2.9
J	1.5

Schematic



UNLESS OTHERWISE SPECIFIED: DIMENSIONS ARE IN INCH(MM) SURFACE FINISH: TOLERANCES: LINEAR: ANGULAR:				FINISH:		DEBUR AND BREAK SHARP EDGES		DO NOT SCALE DRAWING		REVISION -	
DRAWN		NAME		SIGNATURE		DATE		<p>ABRACON CORPORATION 30332 Esperanza, Rancho Santa margarita, California 92688</p>			
CHK'D		SAAZVAT						TITLE: Air Coil			
APPV'D		XXXXXX						DWG NO.		A3	
MFG								SCALE: 15:1		SHEET 1 OF 1	
Q.A								WEIGHT:			