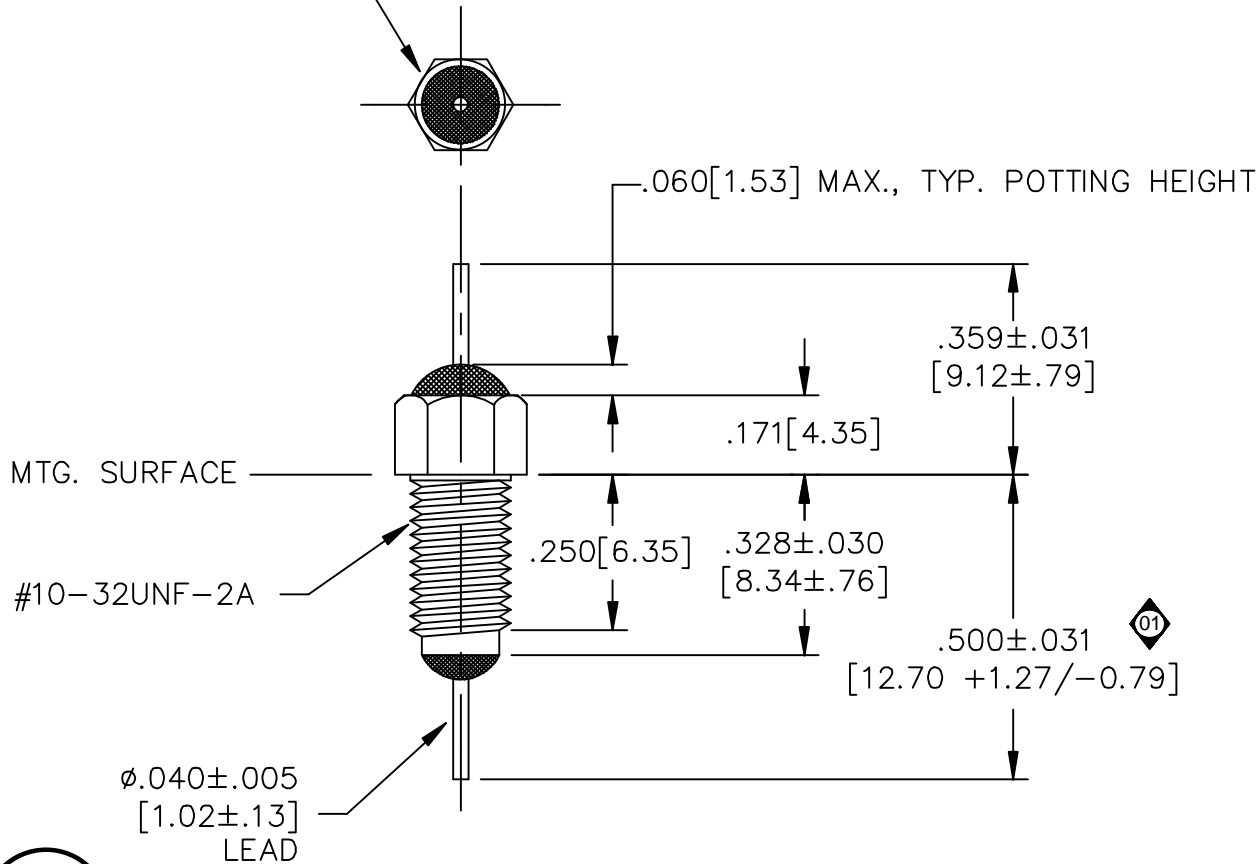


ø.218[5.54] HEX



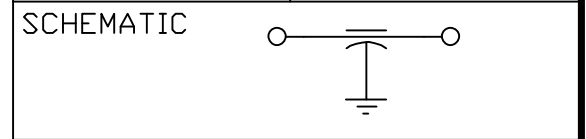
NOTES:

1. SUGGESTED MOUNTING HOLE = ø.218 [5.54]
2. HARDWARE IS INCLUDED.



LEAD FINISH: SILVER	
BUSHING FINISH: SILVER	
CAPACITANCE	1uF +80/-20%
TEMP. RANGE	-55°C TO 125°C
CURRENT	10 AMP MAX.
WORKING VOLTAGE	85°C 80VDC MAX. 125°C 50VDC MAX.
D.C. RESISTANCE	.01ohms MAX.
MIN. I.L. PER MIL-STD-220 AT 25°C NO LOAD	

FREQ. MHz	I.L. (db)
30 KHz	10
50 KHz	15
100KHz	20
1	40
10	52
100	70
500	78
1 GHz	80



MARKING: PART: 54F-786-014

BAG:  
54F-786-014  
DATE CODE  
QTY./BAG (200 MAX.)

			01	00	REV. NO.	TOLERANCES UNLESS OTHERWISE SPECIFIED	 SPECTRUM CONTROL INC.	FAIRVIEW PENNSYLVANIA	
			CN 56108-ENG	CN 34237-CPD	CHANGE NOTICE	Fractions ± 1/64		Dwn. KAUFFMAN	Description FEED THRU RESIN SEAL FILTER
						Dec. .xx±	DATE 03/20/07		
						Dec. .xxx±015 [.38]	ENGR. J. KRAUS		
						Angles ±0° 30'	DO NOT SCALE	54F-786-014	
						CODE IDENT. NO. 0LSP2			