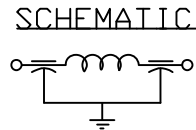
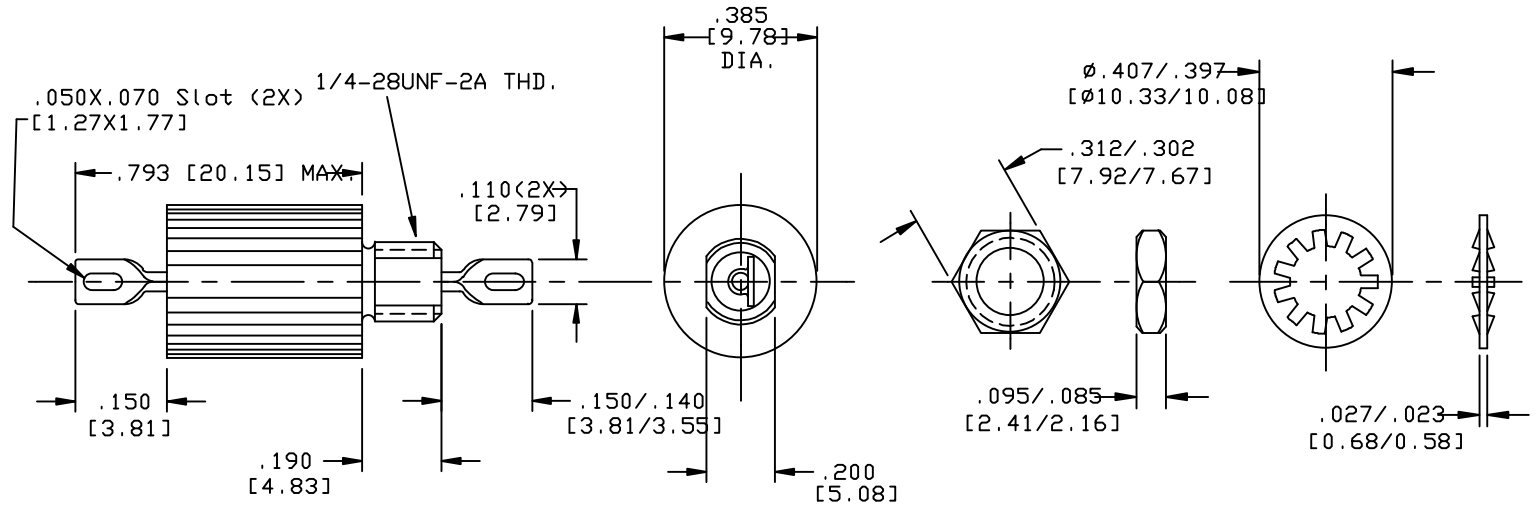


CASE FINISH	CURRENT (AMPS)	WORKING VOLTAGE				MAXIMUM DC RESISTANCE (OHMS)	MAXIMUM VOLTAGE DROP		MINIMUM CAPACITANCE (uF)	MIN. INSERTION LOSS PER MIL-STD-220 FULL LOAD, +25°C												
		-55°C TO +85°C		-55°C TO +125°C			DC	AC		14	30	50	75	100	150	300	500	1	10	100	1	10
		AC	DC	AC	DC					KHz	KHz	KHz	KHz	KHz	KHz	KHz	KHz	MHz	MHz	MHz	GHz	GHz
SOLDER	5.0	125	250	125	180	0.015	--	--	--	--	--	--	--	--	--	--	43	80	--	80	--	

PART MARKING:  
SCI  
9001-100-1025  
DATE CODE

PACKAGE MARKING:  
STANDARD

MARKING NOTES:  
N/A



MTG. HARDWARE

NOTES:

1) MOUNTING TORQUE NOT TO EXCEED 7 in-lbs.

REV	CHANGE NOTIC	DESCRIPTION	DATE	BY	CHKD	APP'D	DATE
4							
	CN 183715	UNLESS OTHERWISE SPECIFIED DIMENSIONS ARE IN INCHES. [MILLIMETERS] DO NOT SCALE.					
		TOLERANCES UNLESS OTHERWISE SPECIFIED Fractions Dec. .xx± Dec. .xxx±010 Angles ±0° 30'					
		CODE IDENT. NO. DLSP2					
		ERIE, FAIRVIEW PENNSYLVANIA SPECTRUM CONTROL INC. Description Pass EMI Filter					
		9001-100-1025 Sheet 1 of 1					

Quality Products From The Specialists In Electro-Magnetic Compatibility