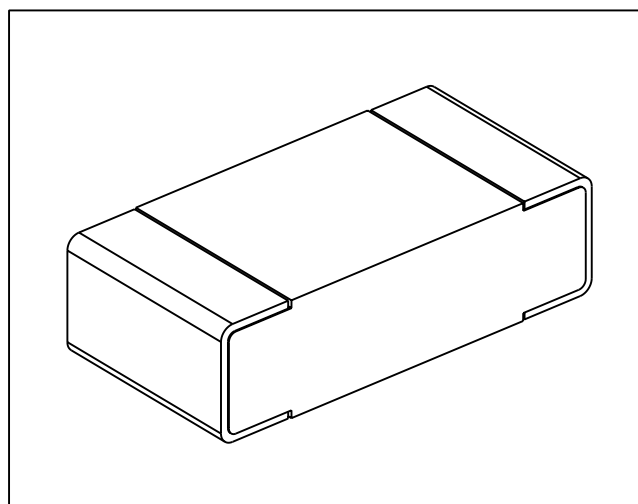
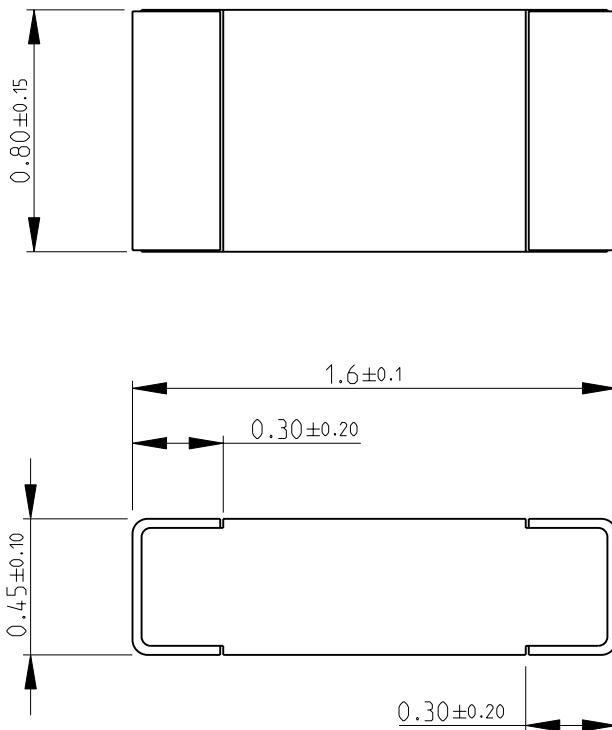


| | | | | | | | |
|-----|------|-----------|-----|-------------|-----------|-----|------|
| LOC | DIST | REVISIONS | | | | | |
| E | B | P | LTR | DESCRIPTION | DATE | DWN | APVD |
| | | | BA | NEW RELEASE | 07-Oct-08 | SM | St.P |

FOR FURTHER INFORMATION SEE DATA SHEET FOR
CRG SERIES-THICK FILM CHIP RESISTORS



RoHS Compliant

2008

RELEASED FOR PUBLICATION

BY TYCO ELECTRONICS CORPORATION. ALL RIGHTS RESERVED.

THIS DRAWING IS UNPUBLISHED.

© COPYRIGHT 2008

| | | | | | | | |
|--|-------|------------------|------------------|--|------------|---------------|--------|
| DIMENSIONS: mm | DWN | SUBHASH.M | 07-Oct-08 | MATERIAL | - | FINISH | - |
| | CHK | PRAKASH.S | 07-Oct-08 | Tyco Electronics Corporation Dorcan, Swindon, SN3 5HH | | | |
| TOLERANCES UNLESS OTHERWISE SPECIFIED: | APVD | STEPHEN.P | 07-Oct-08 | | | | |
| | 0 PLC | ±0.5 | PRODUCT SPEC | NAME THICK FILM CHIP RESISTORS SERIES CRG 0603 | | | |
| 1 PLC | ±0.2 | APPLICATION SPEC | | | | | |
| 2 PLC | ±0.1 | | SIZE | CAGE CODE | DRAWING NO | RESTRICTED TO | |
| 3 PLC | ±- | | A 4 | 00779 | ©- 1622834 | - | |
| 4 PLC | ±- | | WEIGHT | | - | | |
| ANGLES | ±5° | | CUSTOMER DRAWING | | | | |
| | | | | SCALE | 40:1 | SHEET | 1 OF 1 |
| | | | | | | REV | BA |