

CKCM25X5R1C223M060AA

TDK Item Description : CKCM25X5R1C223MT****

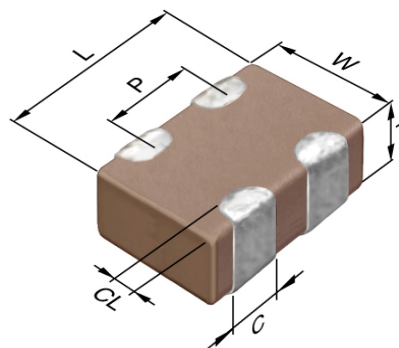


Application & Main Feature

Commercial Grade (2 in 1 Array)

Series

CKCM25



Dimensions

L	1.37mm +/-0.15mm
W	1.00mm +/-0.15mm
T	0.60mm +/-0.1mm
C	0.36mm Nom.
P	0.64mm Nom.

Temperature Characteristic

X5R (-55 to 85 degC +/-15%)

Rated Voltage

1C (16Vdc)

Capacitance

22nF

Capacitance Tolerance

M (+/-20%)

Dissipation Factor

5% Max.

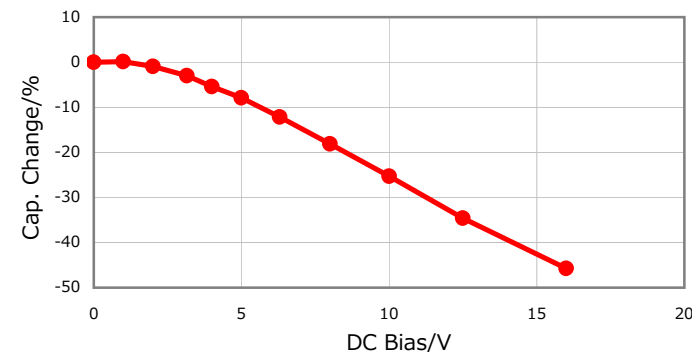
Insulation Resistance

4.55Gohm Min.

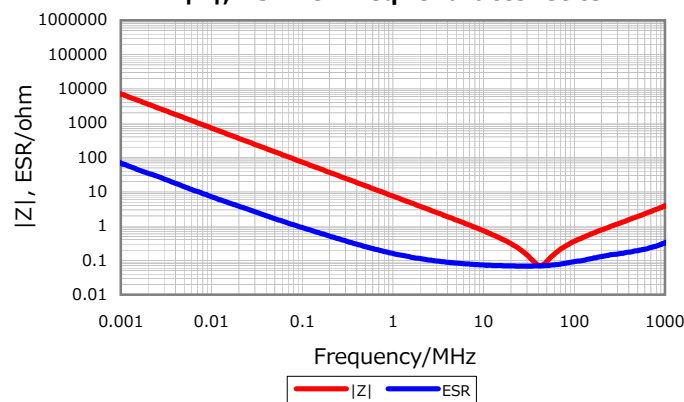
AEC-Q200

Not Applicable

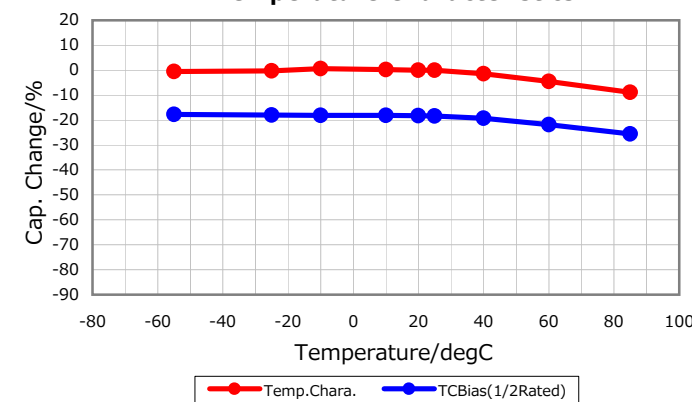
DC Bias Characteristic



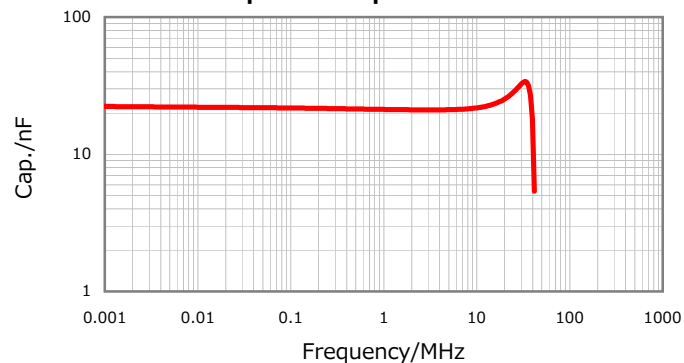
|Z|, ESR vs. Freq. Characteristics



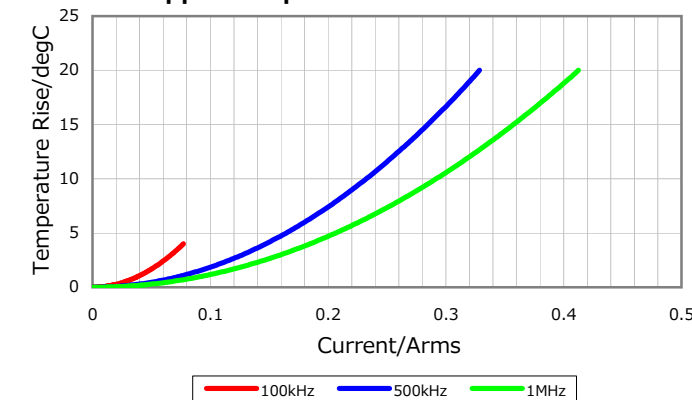
Temperature Characteristics



Cap. vs. Freq. Characteristic



Ripple Temperature Rise Characteristics



Characterization Sheet (Multilayer Ceramic Chip Capacitors)



⚠ All specifications are subject to change without notice.

January 4, 2016