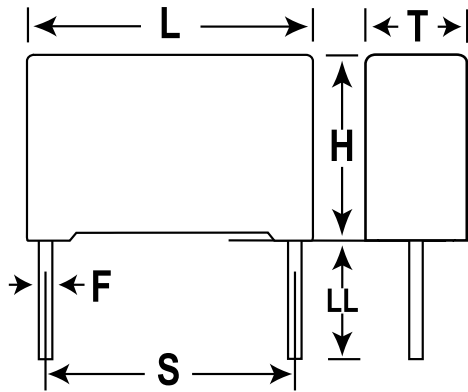


Capacitor, Film, Metallized Polypropylene, 0.047 uF, +/-10% Tol, -40/+110C, Safety: X1, 440 VAC, Lead Spacing=15 mm



General Information	
Supplier:	KEMET
Dielectric:	Metallized Polypropylene
Application:	Safety: X1
Sub Application:	AEC-Q200
Style:	Radial Box
Lead Form:	Wire Leads
Features:	Pulse
Approvals:	AEC-Q200, ENEC, UL, cUL
RoHS:	Yes

Dimensions (mm)		
Symbol	Dimension	Tolerance
L	18	+0.3
H	17.5	+0.1
T	6	+0.2
S	15	+/-0.4
LL	25	+2/-1
F	0.6	+/-0.05

Specifications	
Capacitance:	0.047 uF
Voltage:	1000 VDC
Tolerance:	+/-10%
Voltage AC:	440 VAC
Rated Temperature:	110C
Temperature Range:	-40/+110C
Dissipation Factor @ 1 kHz:	0.1%
Insulation Resistance:	100 GOhm
Maximum dVdT:	600 v/us

Packaging Specifications	
Package Kind:	Bulk
Package Quantity:	700