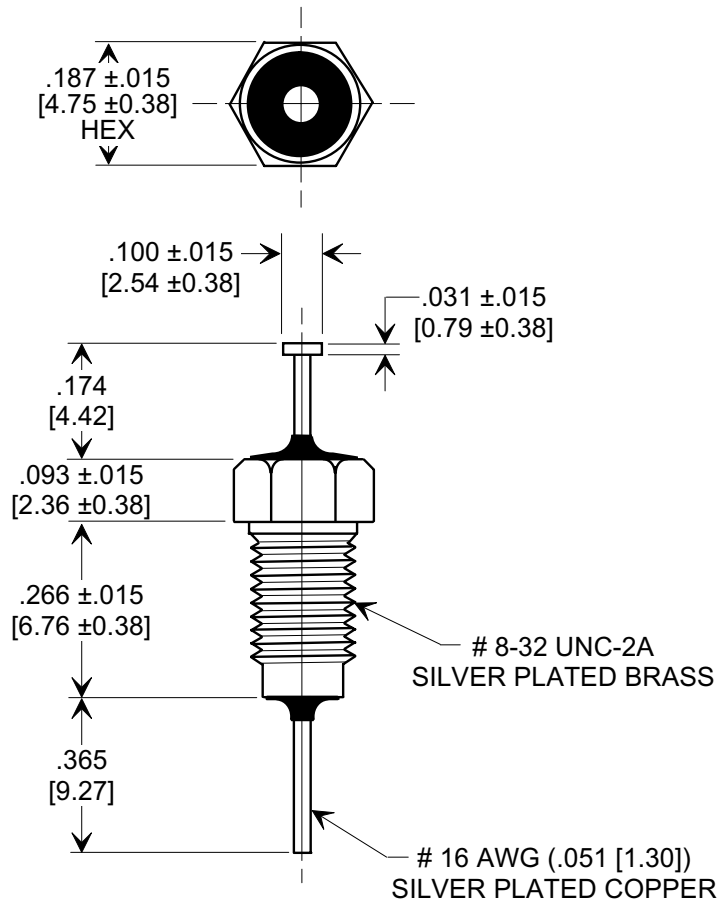
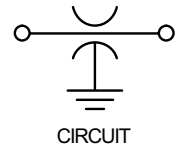
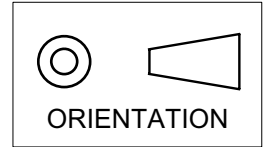


MARKETING SALES DRAWING

DIMENSIONS IN INCHES - DO NOT SCALE THIS DRAWING
DIMENSIONS IN METRIC - []

This drawing is the property of Tusonix, Inc., and may not be used, reproduced, published or disclosed to others without expressed authorization by Tusonix Inc.

**Electrical Testing
per Tusonix standard
test plans and Mil-Std-202
Test Methods.**



SPECIFICATIONS

TUSONIX STYLE:	2425-001
CAP. VALUE:	5000 pF
CAP. TOLERANCE:	GMV *
TEMP. CHARACTERISTIC:	X5W
RATING:	200 VDC @ + 85°C/100 VDC @ +125°C
OPERATING RANGE:	-55°C TO +125°C
IR MIN. @ 100 VDC:	10 G Ω
DWV VDC:	600

NOTES:

- SUPPLIED WITH SILVER PLATED HEX NUT.
- TUSONIX STANDARD PART NUMBER: 2425-001-X5W0-502AA. TUSONIX RoHS COMPLIANT PART NUMBER: 2425-001-X5W0-502AA LF. CUSTOMER MUST SPECIFY STANDARD OR RoHS PART NUMBER WHEN ORDERING.
- PART MARKING: STANDARD PART: BLACK INK FOR TRADEMARK AND CAP. CODE. RoHS PART: GREEN INK FOR TRADEMARK AND CAP. CODE.

* GMV - GUARANTEED MINIMUM VALUE

REVISION RECORD Original Release C.C. 20011113-7-01 REVISED RATING, OPERATING RANGE, ADDED IR & DWV. ADDED & REVISED NOTES. S.M. 03-09-06 20060217-2-10	0	1	--TOLERANCES-- Unless Otherwise Specified	Title MINIATURE BUSHING FEED-THRU CAPACITOR	
	DECIMAL ± .031 [0.79]		Drawn S.M. 11-13-01		
	ANGLES ±		Approved B.Mc. 11-13-01		
	TUSONIX TUCSON, ARIZONA		A 2425-001-X5W0-502AA		