

NLAS2066

Ultra-Small Dual Single Pole, Single Throw Analog Switch with Over Voltage Tolerance

The NLAS2066 is a Dual SPST (Single Pole, Single Throw) Analog Switch high performance version of the popular NLAS323. Packaged in the ultra-small US8 package. It is designed as a general analog/digital switch and can also be used to isolate USB ports.

Features

- Same Pinout as the Popular NLAS323
- Excellent Performance – Maximum $R_{DS(ON)}$ 15 Ω at 3.0 V
- Matching Between the Switches $\pm 1.5 \Omega$ at 3.0 V
- 1.65 V to 5.5 V Operating Range
- Lower Threshold Voltages for LVTTTL/CMOS Levels
- Ultra-Low Charge Injection ≤ 4.8 pC at 3.0 V
- Low Standby Power – $I_{CC} = 1.0$ nA (max) @ $T_A = 25^\circ\text{C}$
- CMOS Level Compatibility
- OVT* (Pins 1, 3, 5, and 7) These Pins may be Subjected to 0 to +7.0 V, Regardless of Operating Voltage
- Allows a Short from USB Line without Damage to the Device
- This is a Pb-Free Device*

Typical Applications

- USB Isolation
- Cell Phones
- PDAs
- MP3s Digital Still Cameras

Important Information

- ESD Protection: Human Body Model; > 1500 V
Machine Model; > 200 V
- Latch-Up Maximum Rating: 200 mA

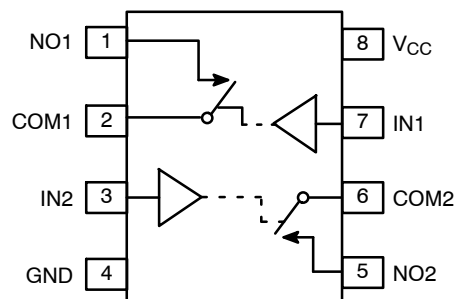
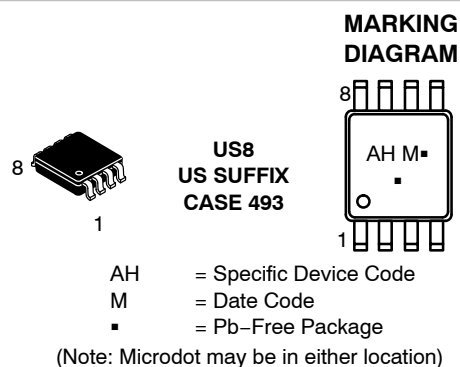
*Over Voltage Tolerance (OVT) enables pins to function outside (higher) of their operating voltages, with no damage to the devices or to signal integrity.

**For additional information on our Pb-Free strategy and soldering details, please download the ON Semiconductor Soldering and Mounting Techniques Reference Manual, SOLDERRM/D.



ON Semiconductor®

<http://onsemi.com>



PIN ASSIGNMENT

Pin	Function	OVT
1	NO1	Yes
2	COM1	–
3	IN2	Yes
4	GND	–
5	NO2	Yes
6	COM2	–
7	IN1	Yes
8	V _{CC}	–

FUNCTION TABLE

On/Off Enable Input	State of Analog Switch
L	Off
H	On

ORDERING INFORMATION

See detailed ordering and shipping information in the package dimensions section on page 8 of this data sheet.

NLAS2066

MAXIMUM RATINGS

Symbol	Rating	Value	Unit
V _{CC}	DC Supply Voltage	-0.5 to +7.0	V
V _I	DC Input Voltage Pins 1, 3, 5, 7 Pins 2, 6	-0.5 to +7.0 -0.5 to V _{CC}	V
V _O	DC Output Voltage	-0.5 to +7.0	V
I _{IK}	DC Input Diode Current V _I < GND	-50	mA
I _{OK}	DC Output Diode Current V _O < GND	-50	mA
I _O	DC Output Sink Current	±50	mA
I _{CC}	DC Supply Current per Supply Pin	±100	mA
I _{GND}	DC Ground Current per Ground Pin	±100	mA
T _{STG}	Storage Temperature Range	-65 to +150	°C
T _L	Lead Temperature, 1 mm from Case for 10 Seconds	260	°C
T _J	Junction Temperature under Bias	+150	°C
θ _{JA}	Thermal Resistance (Note 1)	250	°C/W
P _D	Power Dissipation in Still Air at 85°C	250	mW
MSL	Moisture Sensitivity	Level 1	-
F _R	Flammability Rating Oxygen Index: 28 to 34	UL 94 V-0 @ 0.125 in	-
V _{ESD}	ESD Withstand Voltage Human Body Model (Note 2) Machine Model (Note 3) Charged Device Model (Note 4)	> 1500 > 200 N/A	V

Stresses exceeding Maximum Ratings may damage the device. Maximum Ratings are stress ratings only. Functional operation above the Recommended Operating Conditions is not implied. Extended exposure to stresses above the Recommended Operating Conditions may affect device reliability.

1. Measured with minimum pad spacing on an FR4 board, using 10 mm-by-1 inch, 2-ounce copper trace with no air flow
2. Tested to EIA/JESD22-A114-A
3. Tested to EIA/JESD22-A115-A
4. Tested to JESD22-C101-A

RECOMMENDED OPERATING CONDITIONS

Symbol	Characteristics	Min	Max	Unit
V _{CC}	Positive DC Supply Voltage	1.65	5.5	V
V _{IN}	Digital Input Voltage (Enable)	GND	5.5	V
V _{IO}	Static or Dynamic Voltage Across an Off Switch	GND	V _{CC}	V
V _{IS}	Analog Input Voltage NO COM	GND GND	V _{CC} 5.5	V
T _A	Operating Temperature Range, All Package Types	-55	+125	°C
t _r , t _f	Input Rise or Fall Time (Enable Input) V _{CC} = 3.3 V ± 0.3 V V _{CC} = 5.0 V ± 0.5 V	0 0	100 20	ns/V

DEVICE JUNCTION TEMPERATURE VS. TIME TO 0.1% BOND FAILURES

Junction Temperature °C	Time, Hours	Time, Years
80	1,032,200	117.8
90	419,300	47.9
100	178,700	20.4
110	79,600	9.4
120	37,000	4.2
130	17,800	2.0
140	8,900	1.0

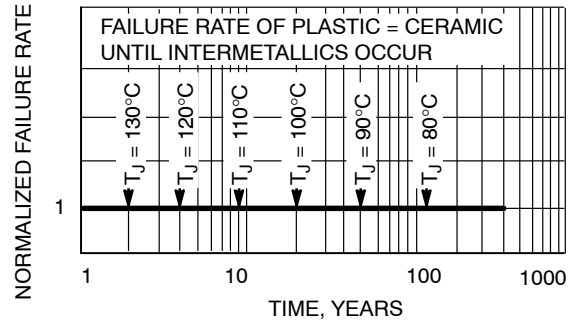


Figure 1. Failure Rate vs. Time Junction Temperature

DC CHARACTERISTICS – Digital Section (Voltages Referenced to GND)

Symbol	Parameter	Condition	V _{CC}	Guaranteed Max Limit			Unit
				25°C	-40 to 85°C	-55 to <125°C	
V _{IH}	Minimum High-Level Input Voltage, Enable Inputs		2.3 ± 10%	V _{CC} × 0.55	V _{CC} × 0.55	V _{CC} × 0.55	V
			2.7 ± 10%	V _{CC} × 0.55	V _{CC} × 0.55	V _{CC} × 0.55	
			3.0 ± 10%	V _{CC} × 0.55	V _{CC} × 0.55	V _{CC} × 0.55	
			5.0 ± 10%	V _{CC} × 0.55	V _{CC} × 0.55	V _{CC} × 0.55	
V _{IL}	Maximum Low-Level Input Voltage, Enable Inputs		2.3 ± 10%	V _{CC} × 0.30	V _{CC} × 0.30	V _{CC} × 0.30	V
			2.7 ± 10%	V _{CC} × 0.30	V _{CC} × 0.30	V _{CC} × 0.30	
			3.0 ± 10%	V _{CC} × 0.30	V _{CC} × 0.30	V _{CC} × 0.30	
			5.0 ± 10%	V _{CC} × 0.30	V _{CC} × 0.30	V _{CC} × 0.30	
I _{IN}	Maximum Input Leakage Current, Enable Inputs	V _{IN} = 5.5 V or GND	0 V to 5.5 V	±0.1	±1.0	±1.0	µA
I _{CC}	Maximum Quiescent Supply Current (per package)	Enable and V _{IS} = V _{CC} or GND	5.5	1.0	1.0	2.0	µA

NLAS2066

DC ELECTRICAL CHARACTERISTICS – Analog Section

Symbol	Parameter	Condition	V _{CC}	Guaranteed Max Limit			Unit
				25°C			
R _{ON}	Maximum On Resistance	V _{IN} = V _{IH} I _S = 8 mA V _{IS} = V _{CC} to GND I _S = 8 mA I _S = 24 mA I _S = 32 mA (Figures 2 and 3)	2.3	50	54	54	Ω
			2.7	20	24	24	
			3.0	15	19	19	
			4.5	7	11	11	
R _{FLAT(ON)}	On Resistance Flatness	V _{IN} = V _{IH} I _S = 8 mA V _{IS} = 0 to V _{CC} I _S = 8 mA I _S = 24 mA I _S = 32 mA (Figure 5)	2.3	60	60	60	Ω
			2.7	24	24	24	
			3.0	13.5	13.5	13.5	
			4.5	3.0	3.0	3.0	
Δ R _{ON}	On Resistance Match Between Channels	V _{IS} = 1.4 V V _{IS} = 1.6 V V _{IS} = 1.8 V V _{IS} = 2.7 V (Figures 4, 5 and 6)	2.3	1.3	1.3	1.3	Ω
			2.7	1.4	1.4	1.4	
			3.0	1.5	1.5	1.5	
			4.5	2.0	2.0	2.0	
I _{NO(OFF)}	Off Leakage Current	V _{IN} = V _{IL} V _{NO} = 1.0 V, V _{COM} = 4.5 V or V _{COM} = 1.0 V and V _{NO} 4.5 V	5.5	1.0	10	100	nA
I _{COM(OFF)}	Off Leakage Current	V _{IN} = V _{IL} V _{NO} = 4.5 V or 1.0 V V _{COM} = 1.0 V or 4.5 V	5.5	1.0	10	100	nA

AC ELECTRICAL CHARACTERISTICS (Input t_r = t_f = 3.0 ns)

Symbol	Parameter	Condition	V _{CC} (V)	Guaranteed Max Limit									Unit
				25°C			-40 to 85°C			-55 to <125°C			
				Min	Typ	Max	Min	Typ	Max	Min	Typ	Max	
t _{ON}	Turn-On Time	R _L = 300 Ω, C _L = 35 pF (Figures 7, 14 and 15)	2.3		8	9			10			10	ns
			2.7		4	5			7			7	
			3.0		3	4			6			6	
			4.5		2	3			5			5	
t _{OFF}	Turn-Off Time	R _L = 300 Ω, C _L = 35 pF (Figures 7, 14 and 15)	2.3		8	10			11			11	ns
			2.7		6	8			9			9	
			3.0		5	7			8			8	
			4.5		4	6			7			7	

		Typical @ 25°C, V _{CC} = 5.0 V			Unit
C _{IN}	Maximum Input Capacitance, Select Input	3.0			pF
C _{NO} or C _{NIC}	Analog I/O (Switch Off)	10			
C _{COM(OFF)}	Common I/O (Switch Off)	10			
C _{COM(ON)}	Feedthrough (Switch Off)	10			

NLAS2066

ADDITIONAL APPLICATIONS CHARACTERISTICS (Voltage Reference to GND Unless Noted)

Symbol	Parameter	Condition	V _{CC} (V)	Typical 25°C	Unit
BW	Maximum On-Channel -3.0 dB Bandwidth or Minimum Frequency Response	V _{IS} = 0 dBm (Figure 8 and 9)	2.3	102	MHz
			2.7	175	
			3.0	180	
			4.5	186	
V _{ONL}	Maximum Feed-Through On Loss	V _{IS} = 0 dBm @ 10 kHz (Figure 8 and 9)	2.3	-2.2	dB
			2.7	-0.9	
			3.0	-0.8	
			4.5	-0.4	
V _{ISO}	Off-Channel Isolation	f = 100 kHz V _{IS} = 1.0 V RMS (Figure 10 and 11)	2.3	-73	dB
			2.7	-74	
			3.0	-74	
			4.5	-75	
Q	Charge Injection Enable Input to Common I/O	V _{IS} = V _{CC} to GND, F _{IS} = 20 kHz (Figure 12)	3.0	4.8	pC
			5.5	7.4	
THD	Total Harmonic Distortion TDH + Noise	F _{IS} = 10 Hz to 100 kHz, R _L = R _{gen} = 600 Ω, C _L = 50 pF (Figure 13)	3.0	0.19	%
			5.5	0.06	

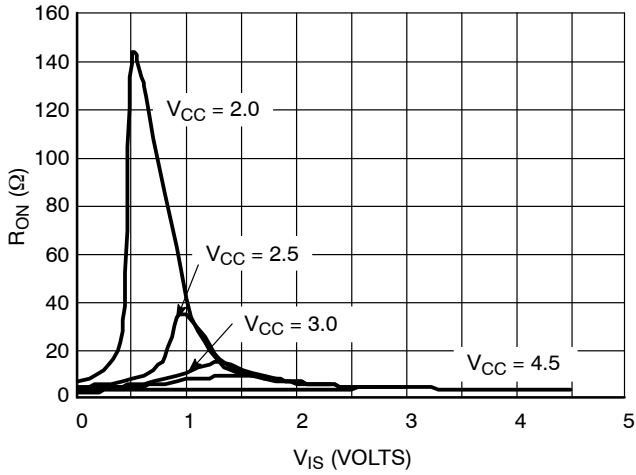


Figure 2. R_{ON} vs. V_{COM} and V_{CC} (@25°C)

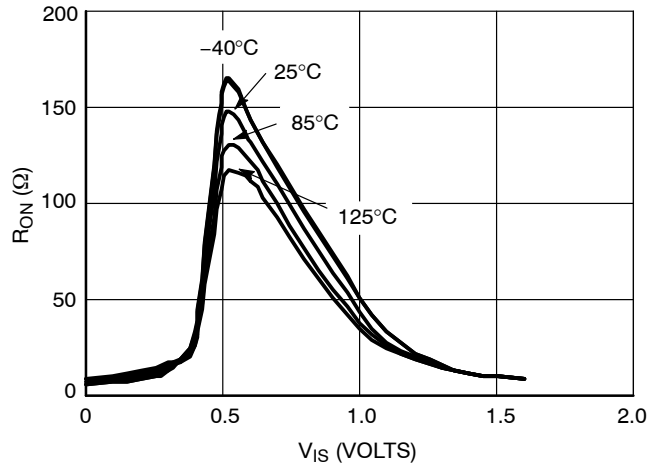


Figure 3. R_{ON} vs. V_{COM} and Temperature, $V_{CC} = 2.0$ V

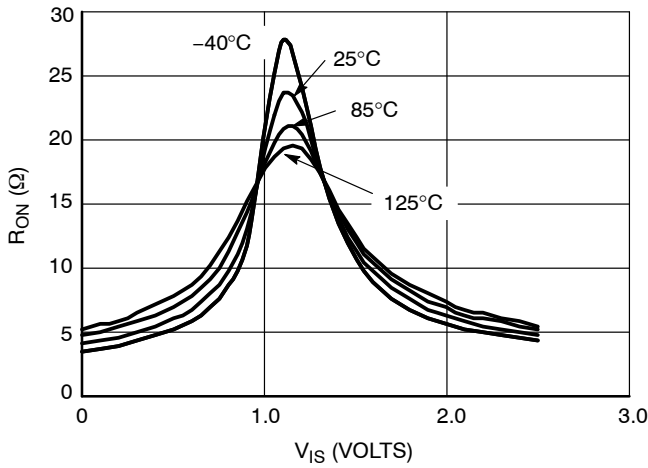


Figure 4. R_{ON} vs. V_{COM} and Temperature, $V_{CC} = 2.5$ V

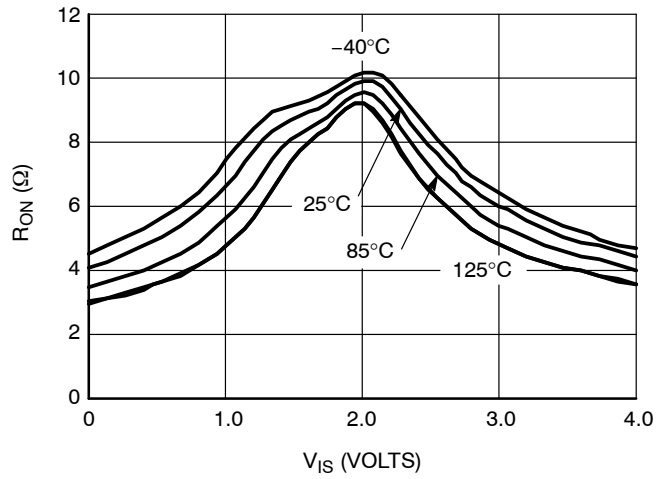


Figure 5. R_{ON} vs. V_{COM} and Temperature, $V_{CC} = 3.0$ V

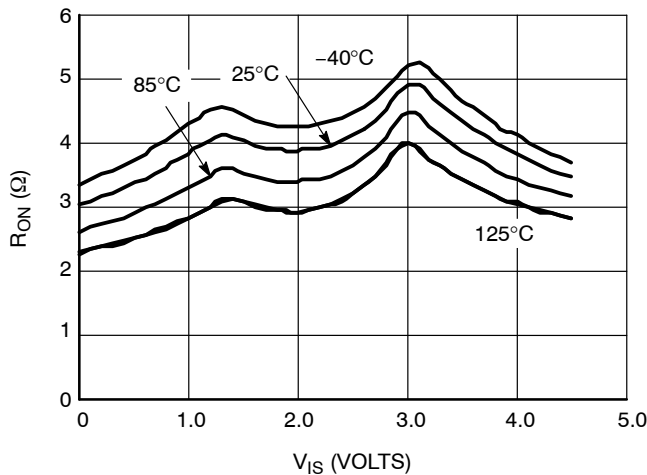


Figure 6. R_{ON} vs. V_{COM} and Temperature, $V_{CC} = 4.5$ V

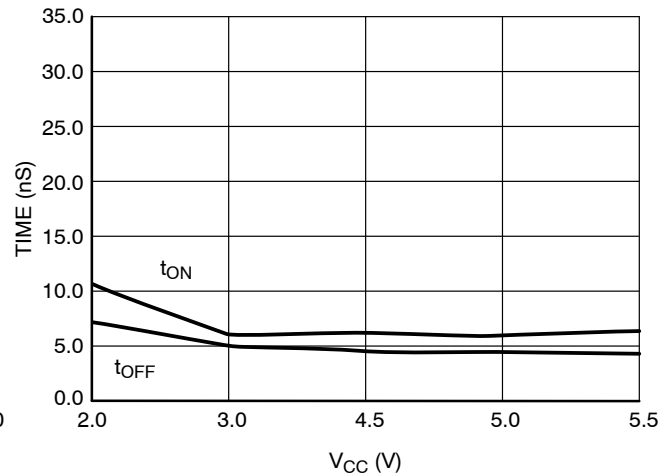


Figure 7. Switching Time vs. Supply Voltage, $T = 25^\circ\text{C}$

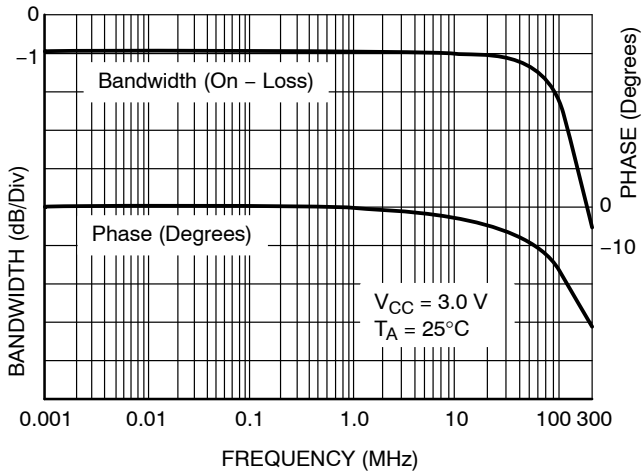


Figure 8. ON Channel Bandwidth and Phase Shift Over Frequency

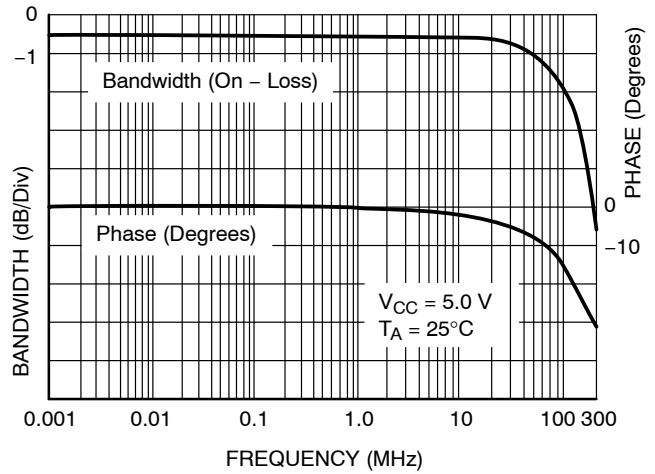


Figure 9. ON Channel Bandwidth and Phase Shift Over Frequency

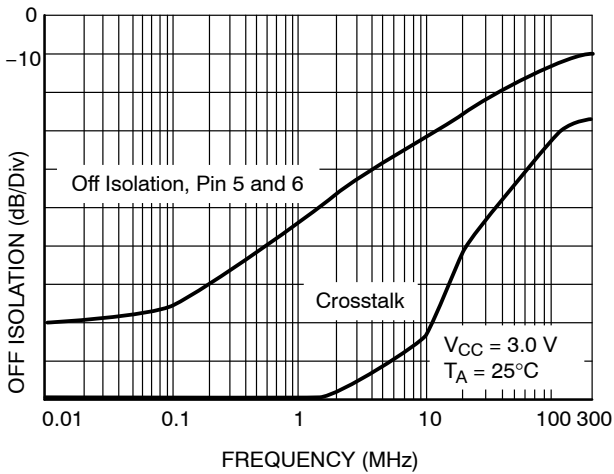


Figure 10. Off Isolation and Crosstalk

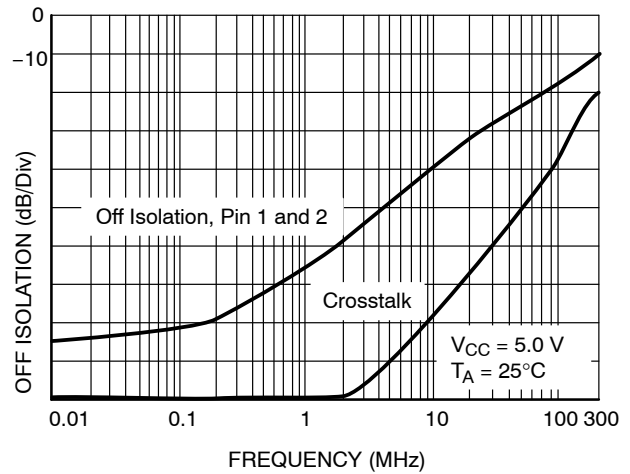


Figure 11. Off Isolation and Crosstalk

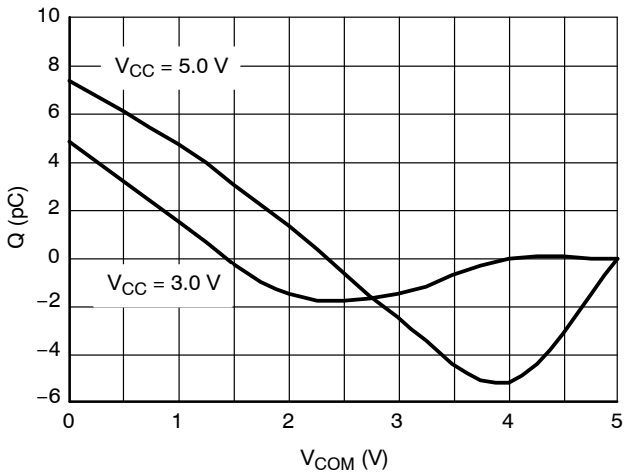


Figure 12. Charge Injection vs. V_{COM}

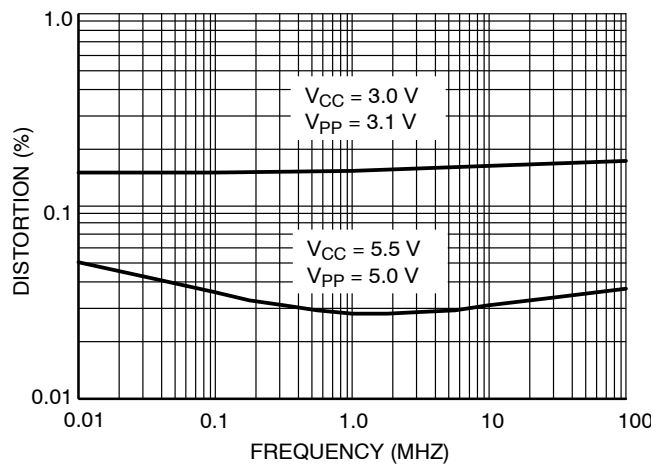


Figure 13. THD vs. Frequency

NLAS2066

TIMING INFORMATION

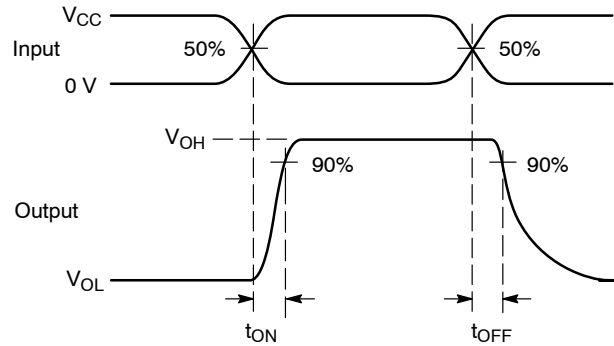
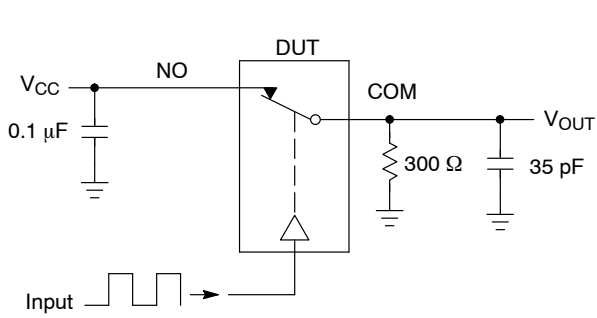


Figure 14. t_{ON}/t_{OFF}

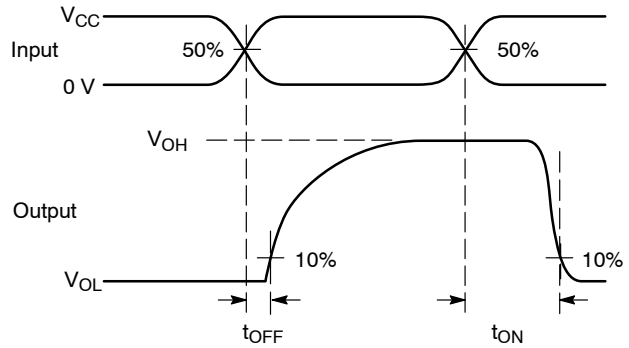
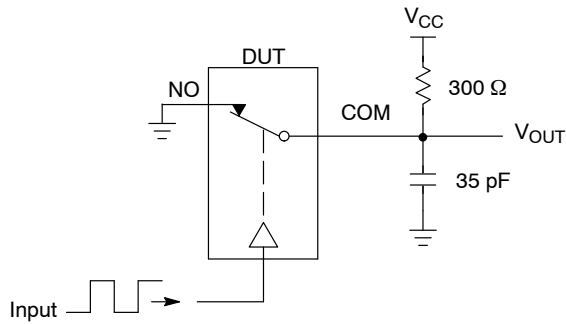


Figure 15. t_{ON}/t_{OFF}

V_{CC}	VMI
2.0 V	1.0 V
3.0 V	1.5 V
4.5 V	1.5 V

DEVICE ORDERING INFORMATION

Device	Device Nomenclature				Package Type	Shipping [†]
	Circuit Indicator	Technology	Device Function	Package Suffix		
NLAS2066USG	NL	AS	2066	US	US8 (Pb-Free)	3,000 / Tape & Reel
NLAS2066UST3G	NL	AS	2066	UST3	US8 (Pb-Free)	10,000 / Tape & Reel

[†]For information on tape and reel specifications, including part orientation and tape sizes, please refer to our Tape and Reel Packaging Specifications Brochure, BRD8011/D.

