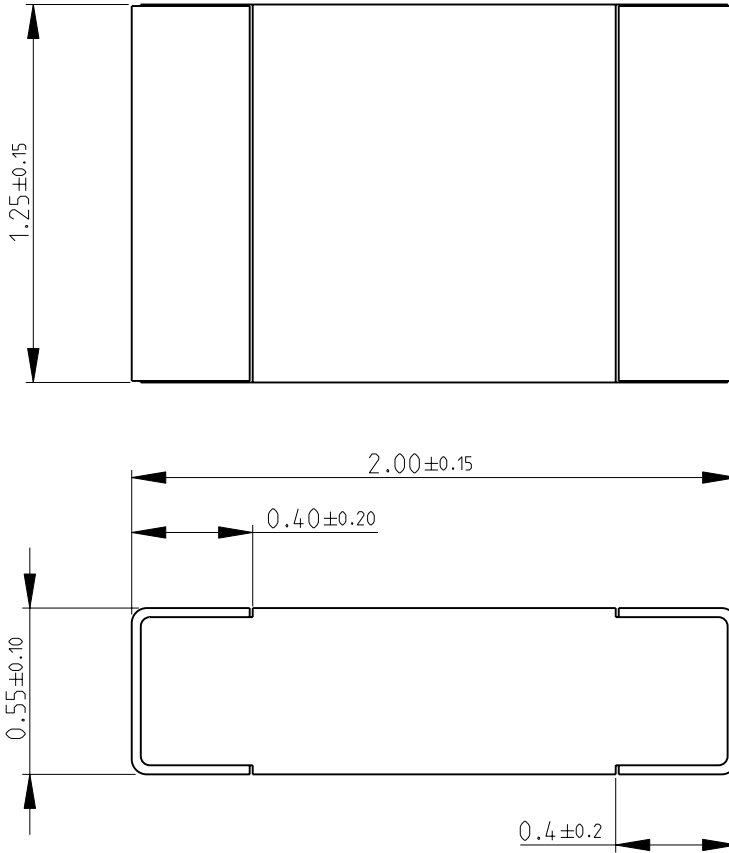
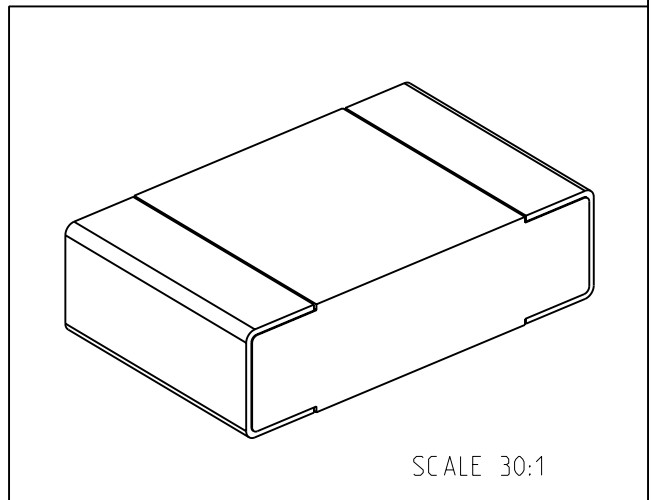


LOC	DIST	REVISIONS					
E	B	P	LTR	DESCRIPTION	DATE	DWN	APVD
			BA	NEW RELEASE	08-JAN-09	SM	St.P

FOR FURTHER INFORMATION SEE DATA SHEET FOR  
CRG SERIES-THICK FILM CHIP RESISTORS



RoHS Compliant



SCALE 30:1

2009

RELEASED FOR PUBLICATION

THIS DRAWING IS UNPUBLISHED.

BY TYCO ELECTRONICS CORPORATION. ALL RIGHTS RESERVED.



DIMENSIONS: mm	DWN	08-JAN-09	MATERIAL	-	FINISH	-
	SUBHASH.M					
TOLERANCES UNLESS OTHERWISE SPECIFIED:	CHK	08-JAN-09	Tyco Electronics Corporation Dorcan, Swindon, SN3 5HH			
	PRAKASH.S					
0 PLC ±0.5 1 PLC ±0.2 2 PLC ±0.1 3 PLC ±- 4 PLC ±- ANGLES ±5°	APVD	08-JAN-09	NAME THICK FILM CHIP RESISTORS SERIES CRG 0805			
	STEPHEN.P					
	PRODUCT SPEC	-	SIZE	A 4	CAGE CODE	00779
	APPLICATION SPEC	-	DRAWING NO	C= 1623184		RESTRICTED TO
	WEIGHT	-	CUSTOMER DRAWING		SCALE	40:1
			SHEET		1 OF 1	REV
						BA