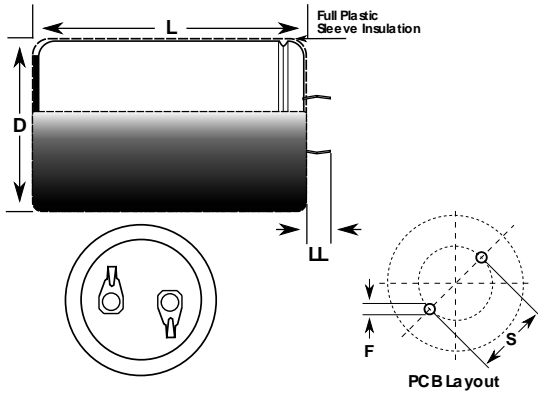


Capacitor, aluminum, 680 uF, +/-20% Tol, -25/+85C, 450VDC@85° C



Dimensions (mm)		
Symbol	Dimension	Tolerance
D	35	+/-1
L	60	+/-2
S	10	+/-0.5
LL	5.8	+/-1
F	2	+/-0.1

Packaging Specifications	
Package Kind:	Bulk
Package Quantity:	200

General Information	
Supplier:	KEMET
Part Type Description:	Snap-In Aluminum Electrolytic
Style:	Snap-in
Lead Type:	2 Pin

Specifications	
Capacitance:	680 uF
Tolerance:	+/-20%
Rated Temperature:	85° C
Voltage @ rated temp:	450VDC
VDC Surge:	500VDC
Life @ rated temp:	2000 Hrs
RoHS:	Yes
Low Z/ESR:	Yes
Temperature Range:	-25/+85C
ESR at 100kHz @ room temp:	110 mOhm
Leakage Current:	3 mA
Leakage Condition:	5min/20c
Dissipation Factor:	20%
Ripple 120Hz @ rated temp:	2.9 A