



# LPC Firmware Flash/FirmwareHub

49 Series

Product Brief

October 2010

## Product Description

LPC Firmware Flash/Firmware Hub is a family of flash memories designed for system code and data storage. SST LPC (Low Pin Count) Flash and Firmware Hub Flash complies with the Intel LPC Interface specification supporting multi-byte Firmware Memory and single-byte LPC Memory cycle types. The low pin count interface allows ASIC host controllers to have more free pins resulting in lower overall system costs.

LPC Firmware Flash/Firmware Hub products are ideally suited for embedded systems and processor applications. Available in an array of package and density combinations, this family of devices also offers all of the benefits of SuperFlash® technology: high performance, low power and reliability.



## Key Features

### Intel Support

- Compliant with Intel Low Pin Count (LPC) Interface Specification 1.1
- Compatible with Intel 82802 Firmware Hub (FWH) component

### High Bandwidth

- Up to 33 MHz operating frequency
- Parallel Programming (PP) for fast production programming
- Unique features for 16 Mbit devices
  - 128 byte burst programming
  - Up to 15.6 MB/s data transfer rate
  - Auto Address Increment (AAI)

### Protection/Security

- 256 bit secure ID space
- Boot block options
- Hardware write protection

### SuperFlash Technology

- Endurance, 100,000 cycles (typical)
- Greater than 100 years data retention
- Fast Sector Erase and Block Erase time: 25 ms (max)
- Low power

*The 49 Series family enables BIOS and system code storage in applications such as embedded PCs, industrial controls, gaming machines, interactive clients, infotainment and medical devices where high bandwidth and a low pin count are required.*

## Applications

- Embedded System Firmware
- Medical
- Industrial Control
- PC BIOS
- Communications Infrastructure
- Optical Drives
- Print Imaging
- Military Equipment



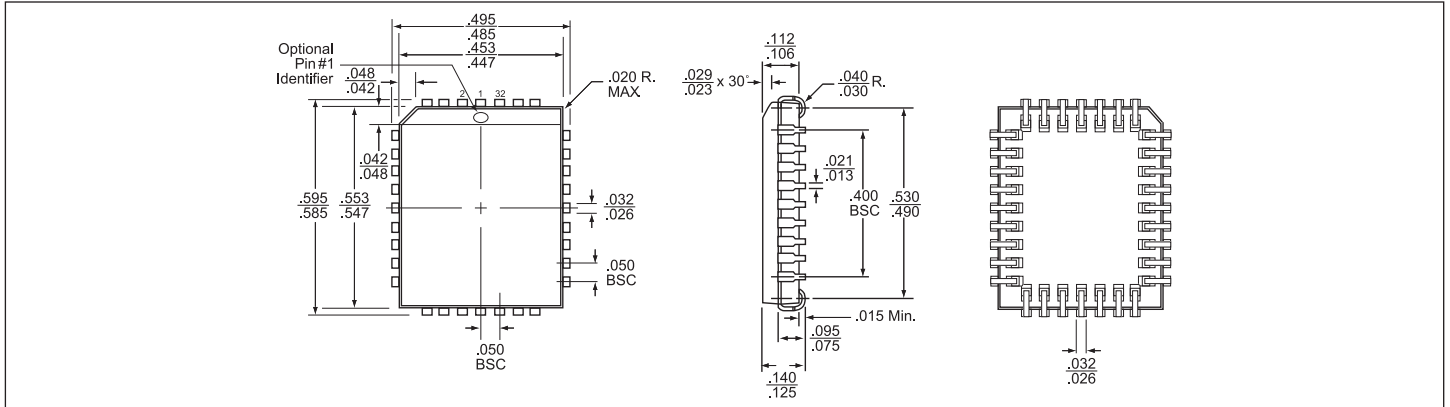
**Silicon Storage Technology, Inc.**  
1020 Kifer Road  
Sunnyvale, CA 94086-5308  
Tel: (408) 735-9110  
Fax: (408) 735-9036

[www.SST.com](http://www.SST.com)  
[www.SuperFlash.com](http://www.SuperFlash.com)

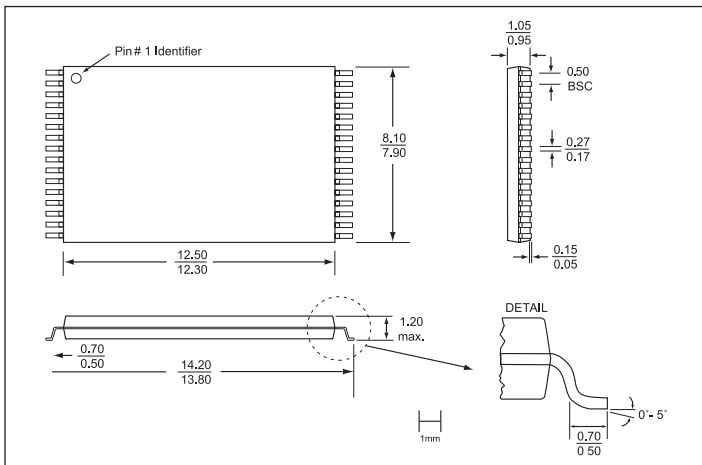
### 49 Series: LPC/Firmware Hub Flash

Device	Density	Voltage	Access Frequency (MHz)	Operating Temperature	Operational Mode	Packages
SST49LF008A	8 Mbit	3.0-3.6V	33	0°C to 85°C	FWH/PP	PLCC-32, TSOP-32, TSOP-40
SST49LF080A	8 Mbit	3.0-3.6V	33	0°C to 85°C	LPC/PP	PLCC-32, TSOP-32
SST49LF016C	16 Mbit	3.0-3.6V	33	0°C to 85°C	FWH/AAI	PLCC-32, TSOP-32, TSOP-40
SST49LF160C	16 Mbit	3.0-3.6V	33	0°C to 85°C	LPC/AAI	PLCC-32

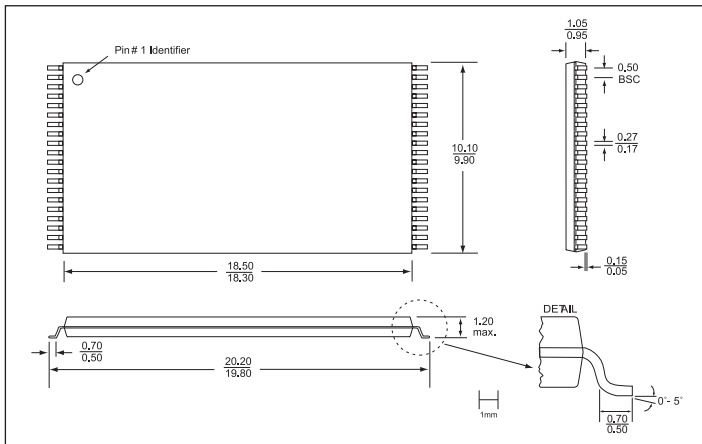
### Package Diagram PLCC-32 (NHE)



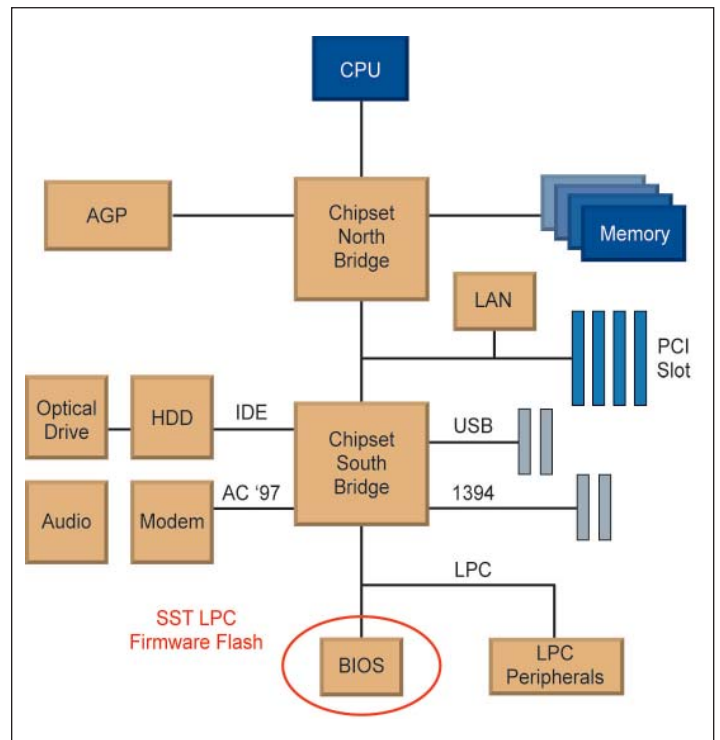
### Package Diagram TSOP-32 (WHE)



### Package Diagram TSOP-40 (EIE)



### Legacy-Free PC Systems



[www.SST.com](http://www.SST.com)

**Silicon Storage Technology, Inc.**  
 1020 Kifer Road  
 Sunnyvale, CA 94086-5308  
 Tel: (408) 735-9110  
 Fax: (408) 735-9036

**Silicon Storage Technology, Inc., a wholly owned subsidiary of Microchip Technology Inc.**

© 2010 Silicon Storage Technology, Inc. All rights reserved. The SST logo, SST and SuperFlash are registered trademarks of Silicon Storage Technology, Inc. Intel is a trademark of Intel Corporation in the U.S. and other countries. These specifications are subject to change without notice. Printed in the U.S.A. 10/10  
 DS01361A

